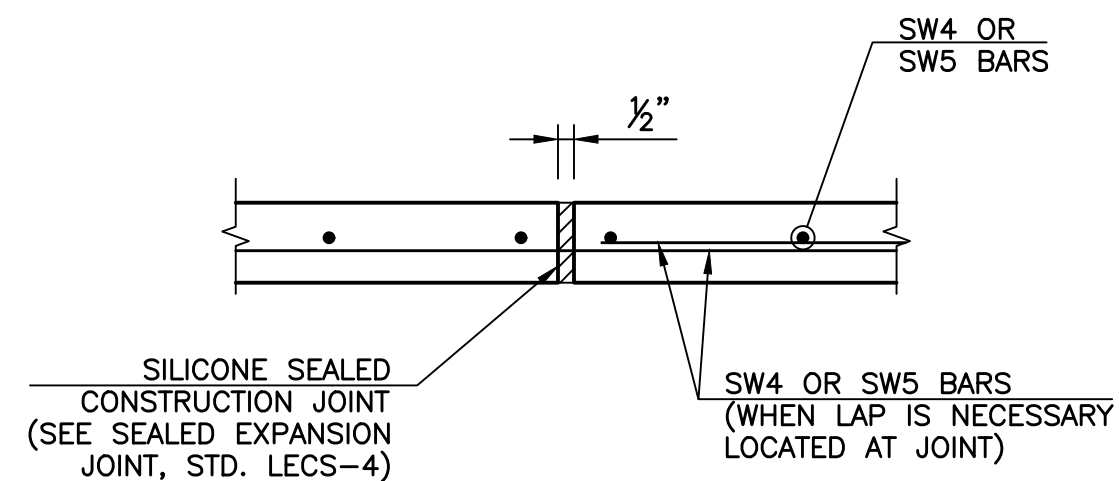
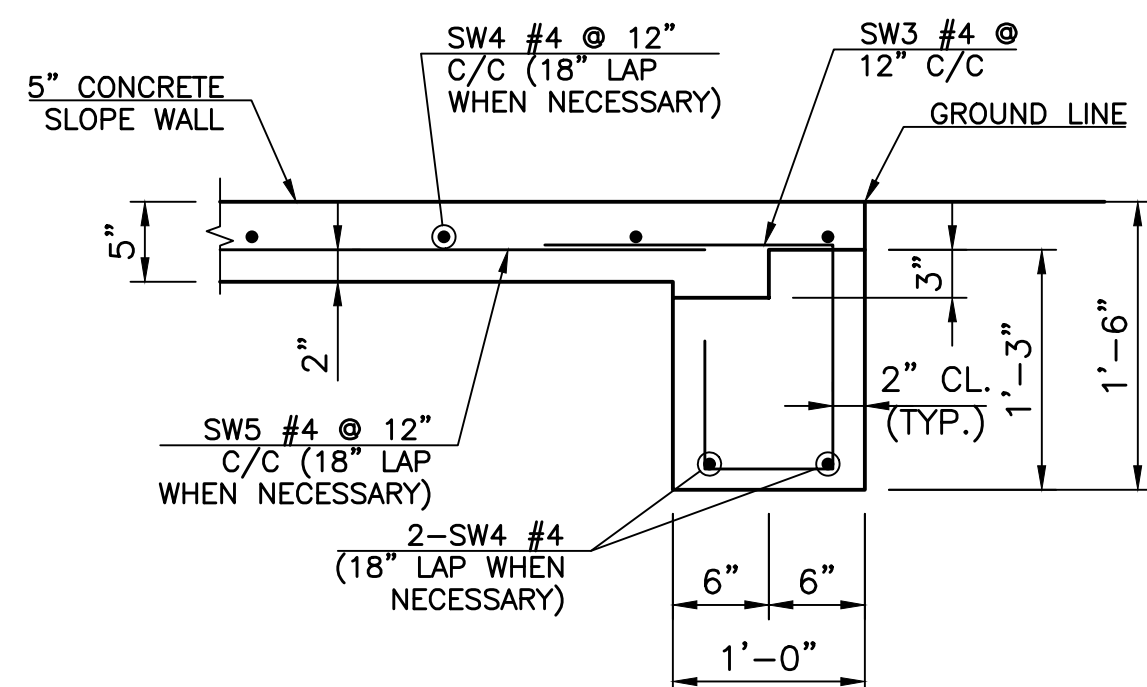


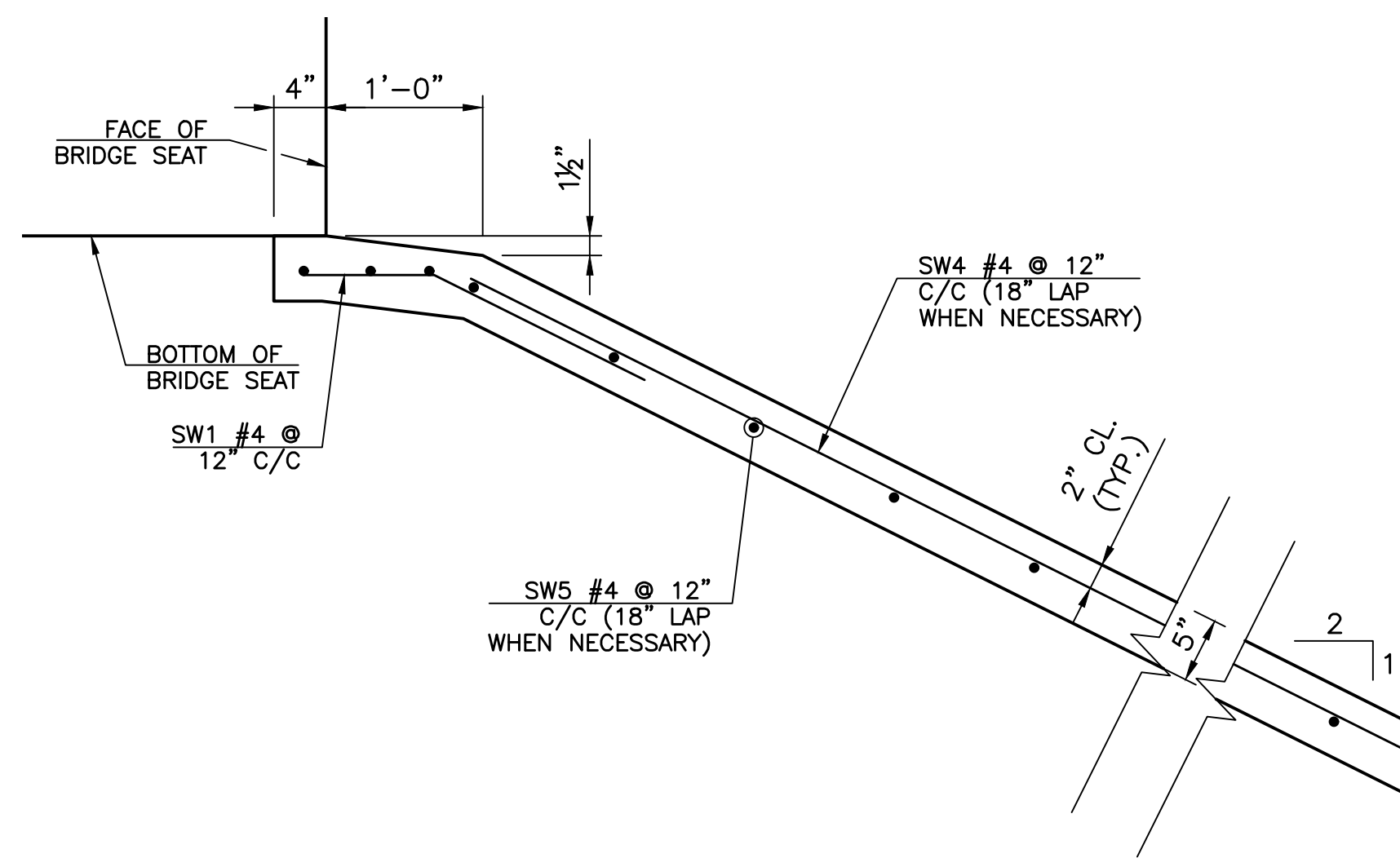
REVISIONS		
REV. NO.	DESCRIPTION	DATE



DETAIL OF VERTICAL CONSTRUCTION JOINT



SECTION B-B



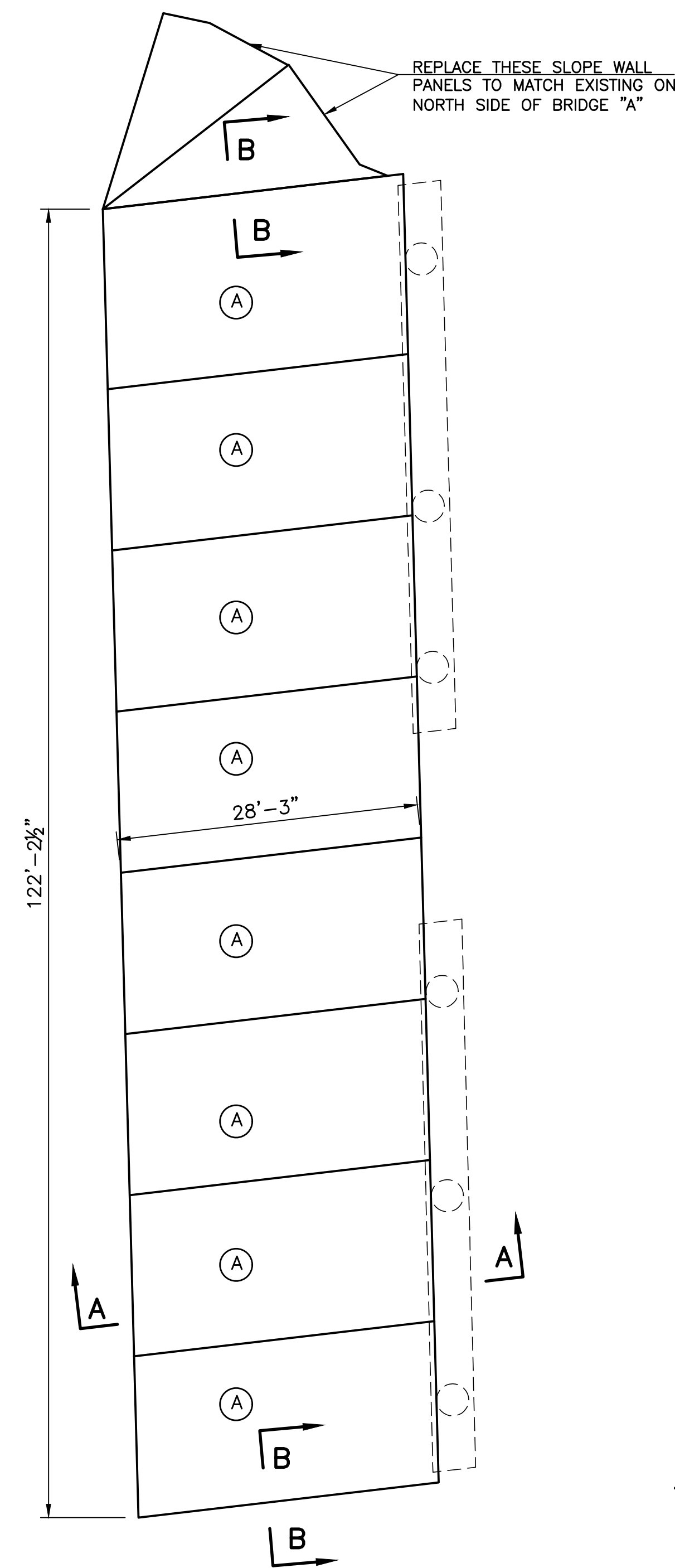
SECTION A-A

- 1 THE SURFACE AREA OF THE TOE OF THE SLOPE WALL IS INCLUDED IN THE PAY QUANTITY SHOWN FOR SLOPE WALL.
- 2 THE 5" CONCRETE SLOPE WALL WILL BE PAID FOR AT THE PRICE BID PER SQUARE YARD COMPLETE IN PLACE AS SHOWN ON THE PLANS. THE PRICE SHALL INCLUDE ALL COSTS OF JOINT FILLER, REINFORCING STEEL, LABOR, AND ALL OTHER INCIDENTALS NECESSARY TO COMPLETE THE WORK. ALL MATERIALS AND WORK SHALL BE IN ACCORDANCE WITH THAT PART OF SECTION 610 COVERING CONCRETE SIDEWALKS. SLOPE WALLS SHALL BE CONSTRUCTED WITH CLASS A CONCRETE IN ACCORDANCE WITH SECTION 509. COARSE AGGREGATE FOR THIN SECTION CONCRETE (SEC. 701.06) MAY BE USED.
- 3 REINFORCING STEEL IN NON-EPOXY COATED.

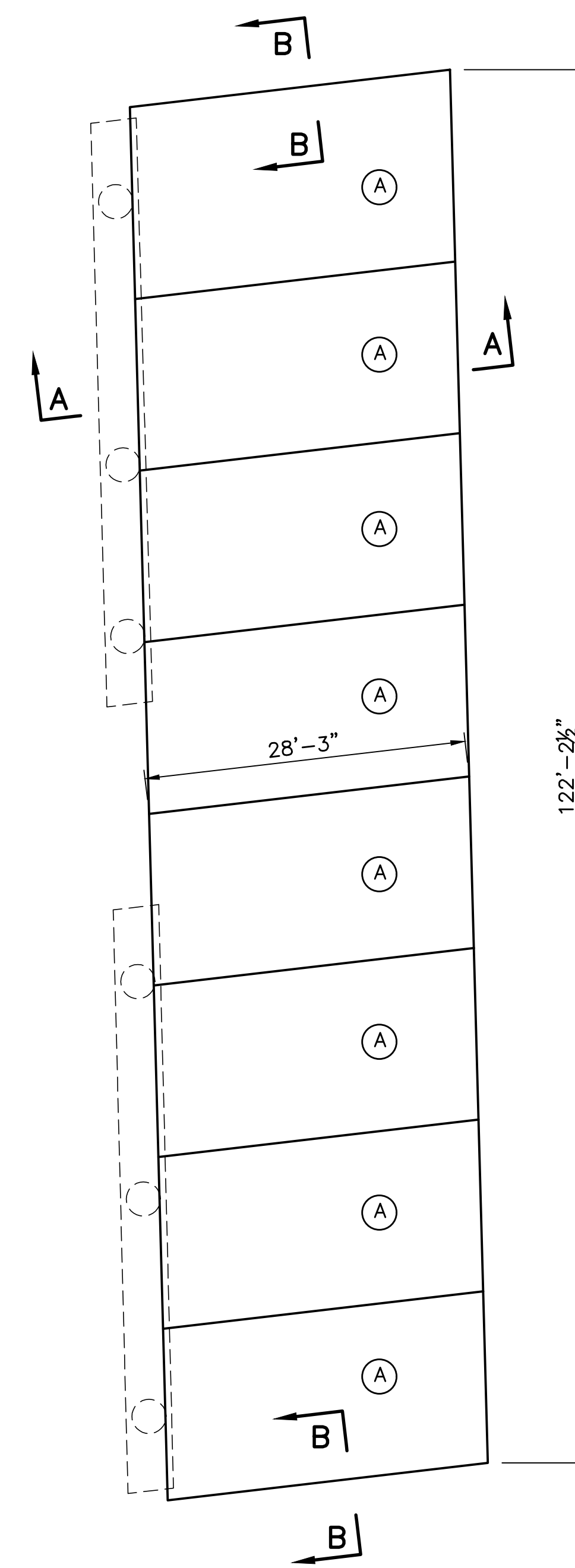
CONSTRUCT 2-2" Ø WEEP HOLES PER PANEL

4-SW5 #4 (18" LAP WHEN NECESSARY)

REPLACE THESE SLOPE WALL PANELS TO MATCH EXISTING ON NORTH SIDE OF BRIDGE "A"

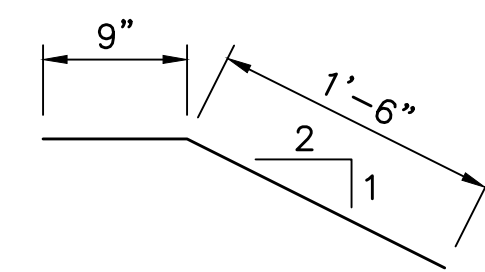


PLAN OF SLOPE WALLS

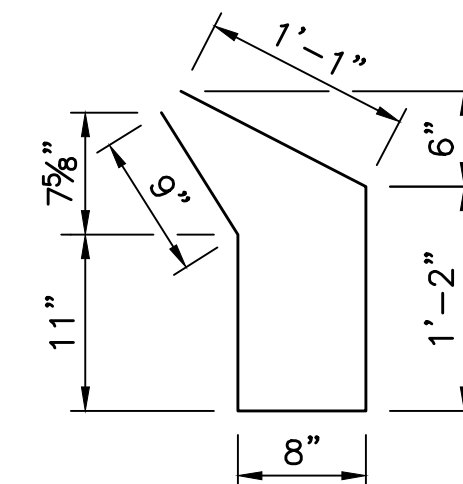


(A) SLOPE WALLS TO BE FORMED WITH ASHLAR STONE LINE. COLOR SHALL BE FEDERAL STANDARD COLOR 30450.

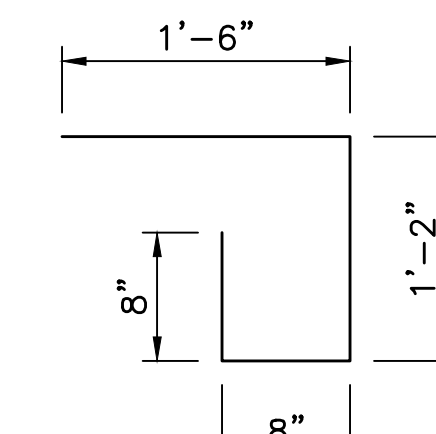
SLOPE WALL QUANTITIES			
ITEM	UNIT	WEST ABUTMENTS	EAST ABUTMENTS
SLOPE WALL (5")	SY	462.4	428.9



SW1 #4 2'-3"



SW2 #4 4'-7"



SW3 #4 4'-0"

TULSA COUNTY US-64 OVER 97TH W. AVE.

DESIGN	MW	11/16
DRAWN	SDK	11/16
CHECKED	HRA	11/16
APPROVED		
WALTER P MOORE		

OKLAHOMA DEPARTMENT OF TRANSPORTATION

DETAIL OF SLOPE WALLS

STATE JOB NO. 28884(04) SHEET NO. 56